



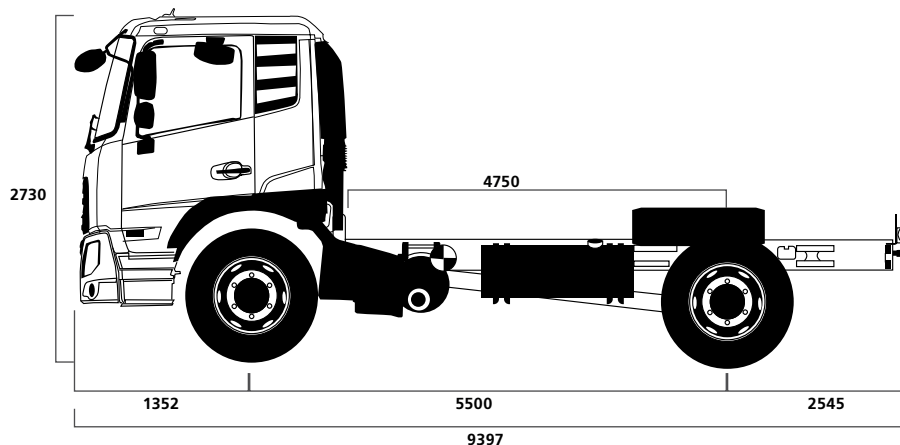
UD TRUCKS

Croner

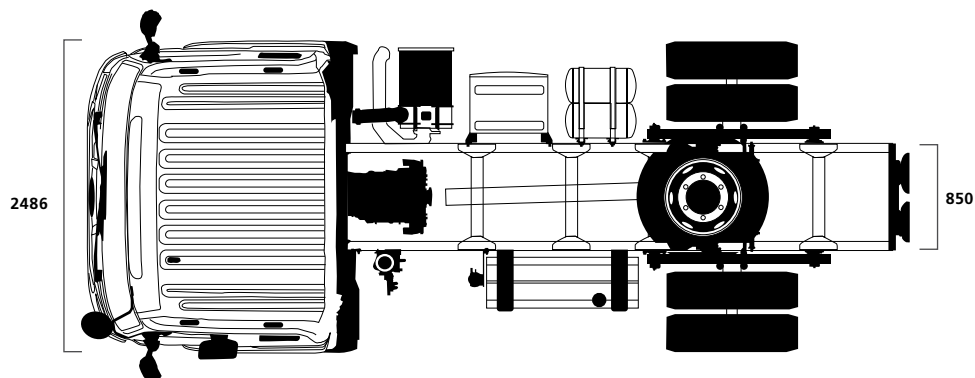
PKE 250

H37

VEHICLE		H37
Model		PKE 250
Manufacturer's code		PKE42RGVW17
Model description		4x2 Compactor
MASS		
Tare – total (T) *	kg	5 410
Tare Frt / Rr	kg	3 200/2 210
GVM	kg	16 000
V	kg	15 500
GCM	kg	24 500
D/T	kg	24 500
Axle – front GA/GAU	kg	6 500
Axle – front A/AU	kg	6 500
Axle – rear GA/GAU	kg	11 000
Axle – rear A/AU	kg	9 000
* Tools included in tare		Yes
PERFORMANCE		
Gradeability at V	%	45.7
Gradeability at D/T	%	26.9
Max. geared road speed	km/h	126.9
MAJOR DIMENSIONS		
Overall length	mm	9 397
Overall width	mm	2 486
Wheelbase	mm	5 500
CA – cab to rear axle	mm	4 750
ROH – Centre of rear axle to end of frame	mm	2 545
Turning radius (curb to curb)	mm	9 775
ENGINE		
Model		GH8E
Capacity	cm ³	7 700
Layout		In line six cylinder
Type		Turbo Inter cooled (common rail)
Power at r/min	Kw	184 @ 2 200
Torque at r/min	Nm	950 @ 1 100-1 700
Emissions standard		EUR III
Protection		Standard
TRANSMISSION		
Model		Allison 3000
Shift		Automatic
No. of gears forward		6
First gear ratio		3.49
Top gear ratio		0.65
Transmission PTO		Prepared for PTO fitment



CLUTCH		
Torque converter	TC 418 (1.98:1)	
DRIVE AXLE		
Model	RSS1132D	
Reduction type	Single reduction single	
Final ratio	5.57	
SUSPENSION		
Front	Parabolic springs	
Rear	Multileaf spring	
Shock absorbers	Standard-(Double acting Front & Rear)	
Stabilisers	Front Standard	
STEERING		
Operation	Power assisted	
Steering Wheel Tilt & Telescopic	Standard	
BRAKES		
System type	Full Air	
Front	S-cam Drum Brake	
Rear	S-cam Drum Brake	
Electronic brake system	ABS	
Park/emergency system	Spring brakes-rear	
Exhaust brake	Standard	
ELECTRICAL & FUEL		
Fuel tank 1 capacity	ltrs	315
Fuel tank 2 capacity	ltrs	Without
TIRES		
Size – front		295/80R22.5
Size – rear		295/80R22.5
CAB		
Type	Sleeper Cab(Without cab back mattress)	
No. of bunks	1	
No. of seats	3 (Includes Center Seat)	
Window lift	Mechanical/Manual	
Seat Belts	Standard-ELR with Reminder (Lap Belt with Center Seat)	
Seats	Fully adjustable,with Fire Retardant Material	
Air conditioning	Standard	
Radio/USB	Standard	
On-board computer	Multi Function Display & In Vehicle Diagnostics	
Tilt cab	Mechanical	
Speed limiter	km/h	80
Day time running lights	Without	
Rear View Mirrors	6 total (Front and LHS close proximity, rear and wide angle RHS & LHS)	
12 Volt Power Outlet	Standard in Dash	
Overhead Storage Console	Without	
Driver Fuel Coaching Tool	Standard in Multi Function Display	
Telematics Communication Gateway	Gateway with 3G and WLAN	



Specifications and options may differ depending on each country due to regulations or special requirements. Dimensions and devices may be changed without prior notice. Please contact your nearest UD Trucks dealer for further details.

