



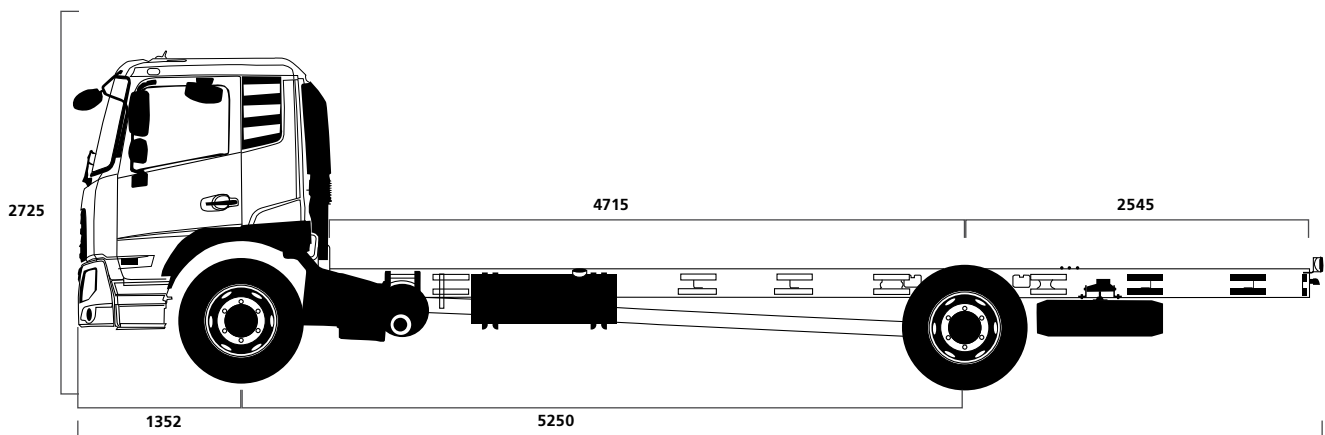
UD TRUCKS

Croner

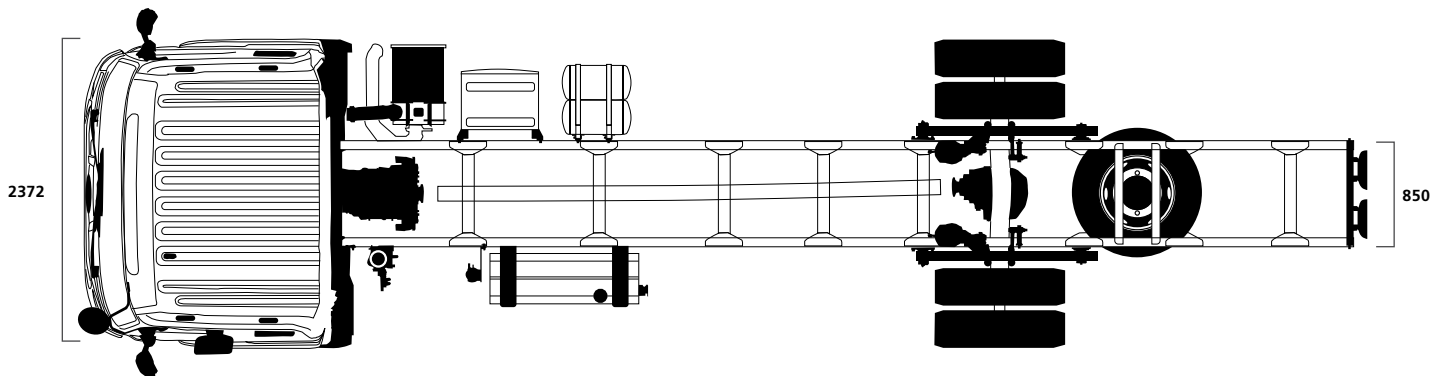
LKE 210

H41

VEHICLE		H41
Model		LKE 210
Manufacturers Code		LKE42RGVW14
Model Description		4x2 Freight Carrier
MASS		
Tare – total (T) *	kg	4 310
Tare Frt / Rr	kg	2 680/1 630
GVM	kg	14 000
V	kg	14 000
GCM	kg	16 000
D/T	kg	16 000
Axle – front GA/GAU	kg	5 000
Axle – front A/AU	kg	5 000
Axle – rear GA/GAU	kg	9 500
Axle – rear A/AU	kg	9 000
* Tools included in tare		Yes
PERFORMANCE		
Gradeability at V	%	47.2
Gradeability at D/T	%	34.9
Max. geared road speed	km/h	97
MAJOR DIMENSIONS		
Overall length	mm	9 182
Overall width	mm	2 372
Wheelbase	mm	5 250
CA – cab to rear axle	mm	4 715
ROH – Centre of rear axle to end of frame	mm	2 545
Turning radius (curb to curb)	mm	10 286
ENGINE		
Model		GH5E
Capacity	cm ³	5 100
Layout		In line four cylinder
Type		Turbo Intercooled (Common Rail)
Power at r/min	kW	158 @ 2 200
Torque at r/min	Nm	825 @ 1 200–1 600
Emissions standard		EUR III
Protection		Standard
TRANSMISSION		
Model		6DS100TA
Type		Synchro
Shift		Manual
No. of gears forward		6
First gear ratio		8.71
Top gear ratio		1
Transmission PTO		Prepared for PTO fitment



CLUTCH		
Model		Organic
Type		Dry Single Plate
Diameter	mm	395mm
Operation		Air assisted hydraulically Operated
DRIVE AXLE		
Model		RSS0918
Reduction type		Single Reduction
Final ratio		3.31
SUSPENSION		
Front		Multileaf Spring
Rear		Multileaf Spring
Shock absorbers		Standard – (Double Acting Front & Rear)
Stabilisers		Standard
STEERING		
Operation		Power Assisted
Steering Wheel Tilt & Telescopic		Standard
BRAKES		
System type		Full Air
Front		S-cam Drum Brake
Rear		S-cam Drum Brake
Electronic brake system		ABS
Park/emergency system		Spring brakes-rear
Exhaust brake		Standard
ELECTRICAL AND FUEL		
Fuel tank 1 capacity	ltrs	190
Fuel tank 2 capacity	ltrs	None
TYRES		
Size – front		10R22.5 tyres
Size – rear		10R22.5 tyres
CAB		
Type		Day Cab
No. of bunks		0
No. of seats		3 (Includes Center Seat)
Window lift		Mechanical/Manual
Seat Belts		Standard -ELR with with Reminder (Lap Belt with Center Seat)
Seats		Fully adjustable, with Fire Retardant Material
Air conditioning		Standard
Radio/USB		Without
On-board computer		Multi Function Display & In Vehicle Diagnostics
Tilt cab		Mechanical
Speed limiter	km/h	80
Day Time Running Lights		Without
Rear View Mirrors		6 total (Front and LHS close proximity, rear and wide angle RHS & LHS)
12 Volt Power Outlet		Standard in Dash
Overhead Storage Console		Without
Driver Fuel Coaching Tool		Standard in Multi Function Display
Telematics Communication Gateway		Without telematics gateway



Specifications and options may differ depending on each country due to regulations or special requirements. Dimensions and devices may be changed without prior notice. Please contact your nearest UD Trucks dealer for further details.

