



SERVICE NEWS LETTER 058 (Rev.)

DATE: JULY 10, 2001

TO: UD DEALER SERVICE MANAGER

FROM: NDA SERVICE OPERATIONS DEPARTMENT

FILE IN THE POLICY SECTION OF THE TECHNICAL BULLETIN BINDER, DISCARD PREVIOUS LETTER DATED MAY 21, 2001

MES50 TRANSMISSION BELL HOUSING WATER ENTRY

PURPOSE

The following information is provided to assist the UD Truck Technician in correcting rainwater entry into the transmission bell housing of UD1200 and UD1400 vehicles equipped with the MES50 manual transmission.

Field investigation has determined that rainwater entry may occur due to poor sealing between the transmission bell housing and the main case of unsold UD1200 and UD1400 model vehicles in long-term storage without a rear body.

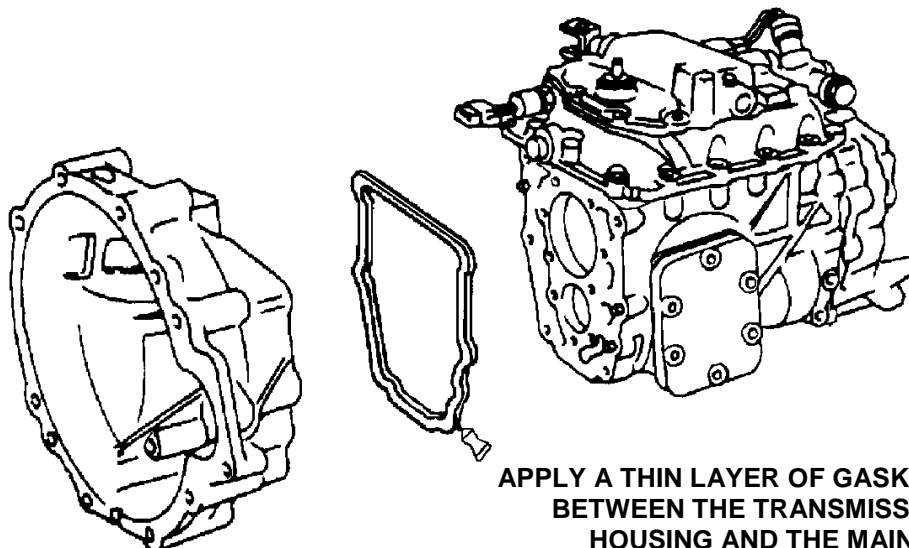
SERVICE PROCEDURES

Perform the procedures described below to correct the condition and the cause of rainwater invasion.

1. Remove the transmission, clutch assembly, and engine flywheel from the vehicle.
2. If rust is present, use a stiff wire brush to clean all traces of it from the engine flywheel and from the clutch pressure plate and clutch disc. Finish the engine flywheel and the pressure plate with 240 grit sandpaper.

NOTE: DO NOT clean the clutch disc with a solvent.

3. Remove the transmission bell housing from the main case as shown below and apply a layer of sealer between bell housing and the transmission main case. The recommended sealer is UD Genuine Part Number 10121-90225 or a suitable equivalent such as Loctite World Tech # 599.



4. Reinstall the transmission bell housing to the main case, the engine flywheel, and the clutch assembly. Uniformly tighten all in a criss-cross pattern to the specifications shown.

TORQUE SPECIFICATIONS:

- Flywheel bolts 195 ~ 210 ft•lbs
- Pressure plate bolts 25 ~ 27 ft•lbs
- Transmission bolts 29 ~ 36 ft•lbs
- Clutch housing bolts 40 ~ 53 ft•lbs

NOTE: DO NOT tighten mounting bolts with an air impact wrench.

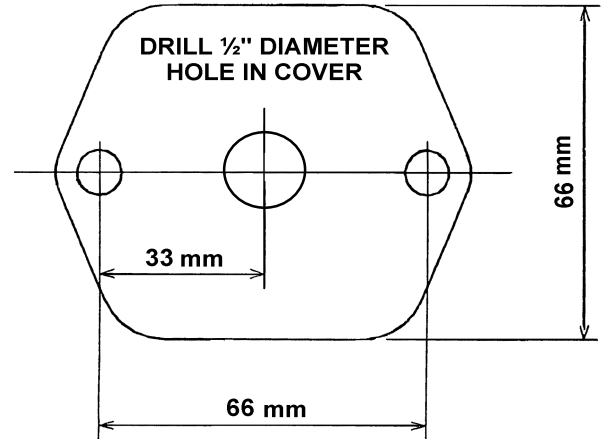
5. Remove the bolts that secure the timing pointer cover to the bottom of the flywheel housing. Retain the bolts for reinstallation.

6. Remove the timing pointer cover.

7. Modify the flywheel housing timing pointer cover by drilling a 1/2" diameter hole in the center of the cover as shown on the right.

8. Cover newly exposed metal with black spray paint.

9. Reinstall the modified pointer cover using the bolts previously removed in step 5. If required, install a new timing pointer cover gasket (part number 13049-96001).



Tightening torque for timing pointer cover bolts: 29.8 N•m (22 ft•lbs)

INFORMATION CONTAINED IN THIS BULLETIN SHOULD NOT BE INTERPRETTED AS THE BASIS FOR CLAIMS UNLESS SO DESIGNATED							
FOR THE INDICATED PERSONNEL BELOW PLEASE READ, INITIAL AND ROUTE TO THE FOLLOWING:							
X	SERVICE MANAGER	X	WARRANTY MANAGER	X SERVICE TECHNICIANS INITIAL BELOW:			
X	PARTS MANAGER	X	SHOP FOREMAN				