

NISSAN DIESEL AMERICA, INC.

RECALL BULLETIN O3V-224

DATE: OCTOBER 6, 2003
 MODEL YEAR: 2002 ~ 2004
 CHASSIS MODEL: UD1200/UD1400/UD1800CS
 BULLETIN NUMBER: SC-224
FILE IN THE CAB AND BODY SECTION OF THE TECHNICAL BULLETIN BINDER

**VOLUNTARY SAFETY RECALL CAMPAIGN NUMBER O3V-224:
 INSPECT AND REPLACE PASSENGER SEAT BELT ANCHOR ON
 2002 ~ 2004 MODEL YEAR UD1200/UDI400/UDI800CS VEHICLES**

MODELS AFFECTED

2002 through 2004 model year UD1200, UD1400 and UD1800CS model vehicles produced between July 1, 2001 and April 22, 2003, as listed below:

MODEL YEAR	VEHICLE MODEL	STARTING SEQUENCE	THROUGH	ENDING SEQUENCE
2002	UD1200	JNAUXU1J62A303005	~	JNAUXU1J72A303028
		JNAUXU1JX2A403009	~	JNAUXV1J12A403132
		JNAUXU1J22A503024	~	JNAUXV1J82A503082
	UD1400	JNAUZU1J32A353001	~	JNAUZV1JX2A353051
		JNAUZU1JX2A453029	~	JNAUZU1J52A453231
		JNAUZU1J52A553023	~	JNAUZU1J32A553117
UD1800CS	JNAMCU2H22AD65009	~	JNAMCU2H42AK65121	
2003	UD1200	JNAUXV1J43A304001	~	JNAUXV1J83A304017
		JNAUXV1J03A404001	~	JNAUXU1J73A404104
		JNAUXV1J73A504001	~	JNAUXU1J03A504075
	UD1400	JNAUZU1J63A354001	~	JNAUZU1J53A354037
		JNAUZU1J43A454002	~	JNAUZU1J43A454131
		JNAUZU1J93A554001	~	JNAUZU1J03A554145
UD1800CS	JNAMCU2H53AE70001	~	JNAMCU2H63AH70081	
2004	UD1200	JNAUXU1J44A305001	~	JNAUXU1J94A305009
		JNAUXU1J04A405001	~	JNAUXU1J94A405076
		JNAUXU1J74A505001	~	JNAUXU1J44A505053
	UD1400	JNAUZU1J94A355001	~	JNAUZV1J14A355032
		JNAUZU1J54A455001	~	JNAUZU1J34A455093
		JNAUZU1J14A555001	~	JNAUZU1J14A555080
UD1800CS	JNAMCU2H74AK75001	~	JNAMCU2H54AG75061	

DESCRIPTION

The possibility exists that the passenger seat belt installed on the involved vehicles may have the incorrect seat belt anchor welded to the seat frame. The installation of the incorrect passenger seat belt anchor was the result of an assembly procedure change during the manufacturing process. The incorrect seat belt anchor may not adequately restrain the passenger seat in the event of a collision and may result in an increased risk of injury to the passenger.

The repairs to correct this condition consist of inspecting the passenger seat belt anchor, removing the affected seat frames and installing replacement seat frames.

All owners of the involved vehicles will be notified by mail and instructed to schedule an appointment with an authorized UD Truck Dealer to have this Safety Recall performed. This repair will be made free of charge to the UD Truck Customer.

The National Highway Traffic Safety Administration has assigned the identification number 03V-224 to this Safety Recall. This number must appear on all communications and documentation of any nature related to the campaign described in this bulletin.

ADMINISTRATION / DEALER RESPONSIBILITY

Proceed immediately to make the necessary inspection and repairs to the involved vehicles in unsold dealer inventory. All inventory vehicles (new or used) subject to this recall must be corrected prior to sale, transfer or delivery. A listing of all involved vehicle identification numbers in either unsold inventory or retail delivered to customers is included in the "MODELS AFFECTED" section of this bulletin. The dealer will also receive an "Authorization for Recall Notification Service" card for all unsold or undelivered inventory vehicles. This postage pre-paid card must be filled out correctly and returned to the address on the card indicating whether the vehicle was repaired, transferred, sold, etc. (refer to the UD Warranty Policies & Procedures Manual, Part III, Section 1). For vehicles without an "Authorization for Recall Service" card, check the vehicle identification number with the Vehicle Service Notification screen of the NDANET2 Warranty Claim System menu to verify that it requires the safety recall.

PARTS INFORMATION

The parts required to complete the repairs as described in this Safety Recall have been developed into a kit which is available immediately for UD Dealers through the NDA Parts Operations Department. Dealers should base their kit assembly part orders on the number of involved vehicles that appear in the "MODELS AFFECTED" section of this bulletin or on the Vehicle Service Notification screen.

PART NUMBER	DESCRIPTION	QTY
7420029D00	KIT ASSEMBLY	1

SERVICE INFORMATION

Before servicing the vehicle, read the entire set of instructions first. Observe the following safety precautions to prevent personal injury, damage to property, or both:

- Park the vehicle on a flat surface, place the automatic transmission in PARK or the manual transmission in NEUTRAL, set the parking brake and chock the rear wheels.
- Turn the engine off and allow the vehicle to cool before servicing.
- Some vehicles may have had the Safety Recall performed at a port facility.
 - If the Safety Recall completion sticker illustrated below is on driver's side door post, no further action is necessary.
 - If no Safety Recall completion sticker is present, proceed immediately with the following instructions.

THIS STICKER INDICATES THAT THE SAFETY RECALL HAS ALREADY BEEN PERFORMED.



- Check the passenger seat belt anchor from the back of the cab.
 - If the anchor resembles the photo on the left, no further action is necessary. Proceed to Step 9 on Page 5 of this bulletin.
 - If the anchor resembles the photo on the right, the passenger seat frame must be replaced. Proceed immediately with the instructions on the following page.

NOT NECESSARY TO REPLACE SEAT FRAME



OUTSIDE LOWER THAN INSIDE

SEAT BELT ANCHOR BOLT OUTBOARD

SEAT FRAME MUST BE REPLACED

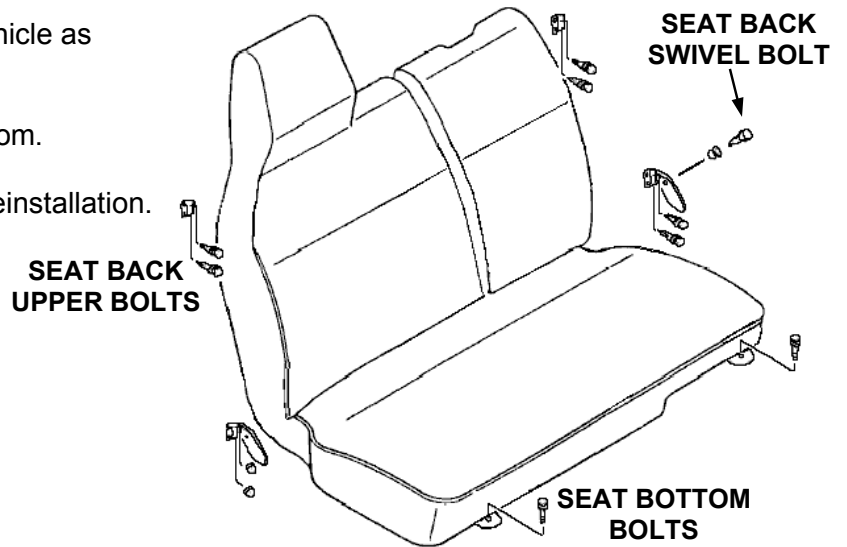


INSIDE LOWER THAN OUTSIDE

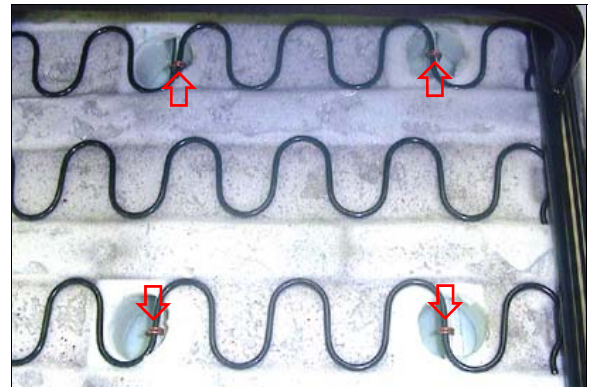
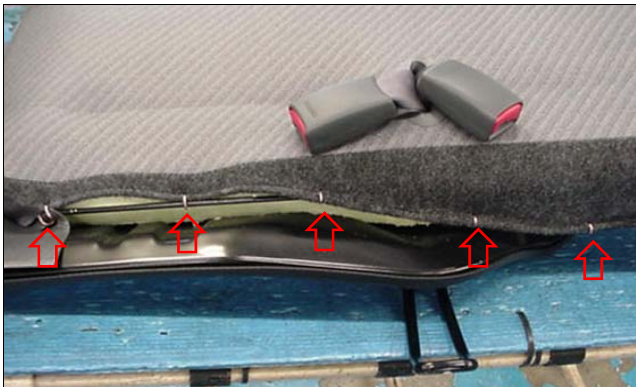
SEAT BELT ANCHOR BOLT IN THE MIDDLE

1. Remove the passenger seat from the vehicle as shown.

- Separate the seat back from the seat bottom.
- Save the seat back and all fasteners for reinstallation.



2. Remove all clips attaching the seat cover and cushion to the seat bottom frame. Remove the seat cover and cushion and save both for reinstallation.



3. Remove the trim skirt and save for reinstallation.



4. Remove the seat belt buckle assembly from the frame.

- Do not separate the bolt from the seat belt buckle assembly.
- Save the seat belt buckle assembly and bolt for reinstallation.
- Discard the seat frame.



5. Obtain a replacement passenger seat frame, part number 7420029D00. Attach the seat belt to the seat frame.

- Ensure that the center seat belt buckle (identified by the word "CENTER" on the buckle) is positioned on top. The passenger seat belt buckle is positioned on the bottom.
- Tighten the seat belt bolt to 44 ~ 55 N•m (32.5 ~ 39.8 ft•lbs) of torque.



6. Install the seat cover and cushion in the reverse order of disassembly.

7. Install the passenger seat in the reverse order of its removal.

8. **TORQUE SPECIFICATIONS:**

- Tighten all seat bottom bolts and nuts to 15.2 ~ 19.6 ft•lbs (20.6 ~ 26.5 N•m, 2.1 ~ 2.6 kg•m) of torque.
- Tighten the seat back swivel bolt to 3.8 ~ 4.6 ft•lbs (5.1 ~ 6.3 N•m, 0.51 ~ 0.63 kg• m) of torque.
- Tighten the seat back upper bolts to 9.4 ~ 11.6 ft•lbs (12.7 ~ 15.7 N•m, 1.3 ~ 1.6 kg•m) of torque.

9. Record the completion date on the Safety Recall 03V-224 sticker and apply it to the driver's side door as shown.



WARRANTY INFORMATION

Expenses for inspecting and/or replacing the passenger seat belt anchor as described in this Safety Recall are to be recovered through the standard UD Warranty Claim procedures listed in the UD Warranty Policies & Procedures Manual, Part V. Use the following information to prepare your claims:

WARRANTY CODE	K590		
TROUBLE CODE	41702376		
FAILED PART NUMBER	8700029D05		
REPAIR DESCRIPTION	PERFORM SAFETY RECALL 03V-224		
LABOR OPERATIONS AND TIME ALLOWED	417X INSPECTION ONLY		0.2 HRS
	417B INSPECT AND REPLACE SEAT FRAME		1.7 HRS