

NISSAN DIESEL AMERICA, INC.

BODY BUILDER'S BOOK BULLETIN

DATE: NOVEMBER 2, 2004
MODEL YEAR: 2003 AND AFTER
CHASSIS MODEL: UD1800HD/UD2000/UD2300LP/UD2300DH/UD2600/UD3300
BULLETIN NUMBER: BBB-10
FILE IN THE TECH. NOTES SECTION OF THE BODY BUILDER'S MANUAL

UD TRUCKS COMPLIANCE WITH FMVSS III REARVIEW MIRRORS

PURPOSE

There is an omission in the "Document for Incomplete Vehicle" regarding UD Trucks compliance with FMVSS 111.

CURRENT PRINTED INFORMATION

Regarding overall body width, this Document states on Page 10 that "such body shall not exceed 96 inches in overall width nor 48 inches from body side to chassis longitudinal centerline."

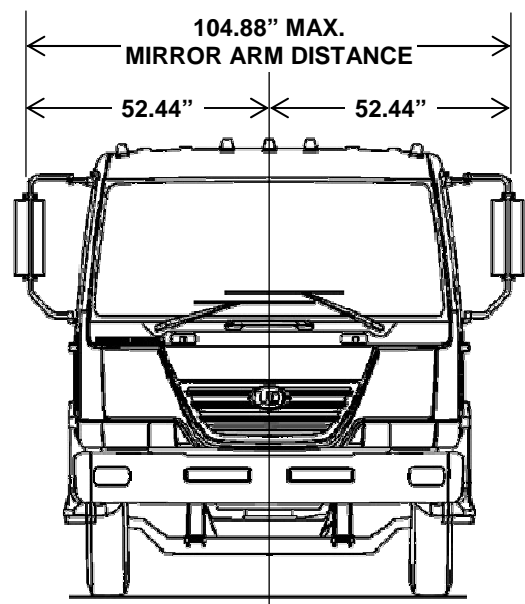
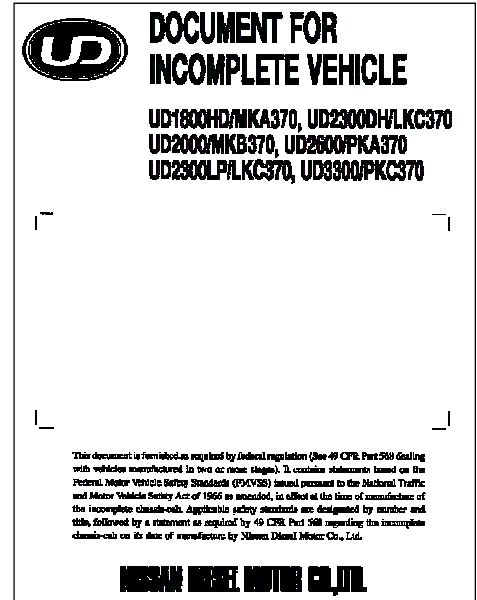
CORRECTED INFORMATION

Effective with the release of 2006 model year Nissan Diesel Motor Company will change the Document for Incomplete Vehicle to read "such body shall not exceed 102 inches in overall width nor 51 inches from body side to chassis longitudinal centerline."

With the release of this Body Builder's Book Bulletin, Nissan Diesel America is also stating that 2003 through 2005 model year chassis models listed above may also be equipped with 102 inch overall width body and as such be in compliance with FMVSS 111.

RECOMMENDATION

Body manufacturers and installers are recommended to keep a copy of this bulletin with the original "Document for Incomplete Vehicle".



THE INFORMATION CONTAINED IN THIS BULLETIN SHOULD NOT BE INTERPRETED AS THE BASIS FOR WARRANTY CLAIMS UNLESS SO DESIGNATED